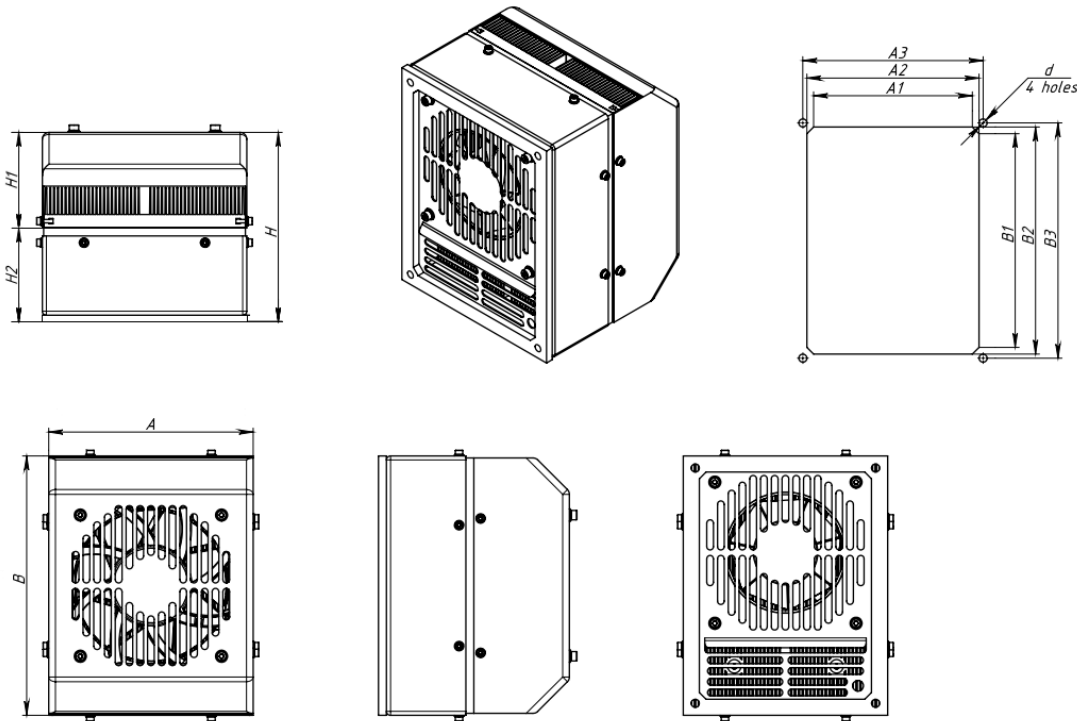


*Thermoelectric cooling device*  
**TECU-FF-100-24-4**  
**FM201.068**

Scientific & Production Firm "MODUL"  
 (Thermoelectric modules & Thermoelectric semiconductor materials)  
 63, Chervonotkatska Str., 02094, Kyiv, Ukraine  
 Tel: +380-44-593-87-40, +380-44-593-87-43, Fax: +380-44-593-87-46  
 E-mail: [Modul@modulua.kiev.ua](mailto:Modul@modulua.kiev.ua) [http:// www.spf-modul.com](http://www.spf-modul.com)

*General view:*



*Geometric characteristics:*

Width (size A)	mm	152±2
Width (size A1)	mm	118±0,5
Width (size A2)	mm	128±0,5
Width (size A3)	mm	134±0,2
Length (size B)	mm	193±2
Length (size B1)	mm	159±0,5
Length (size B2)	mm	169±0,5
Length (size B3)	mm	175±0,2
Height (size H)	mm	142±2
Height (size H1)	mm	70±1
Height (size H2)	mm	72±1
Holes' diameter (size d)	mm	5,3±0,1

*Wires:*

Wire length	mm	300+10
Wire cross section	mm <sup>2</sup>	0,5
Wire insulation type	–	Silicone, PVC

*Features:*

Weight	kg	4,0
Noise	dB(A)	56
IP protection for sealing interface	–	54
IP protection for external circuit	–	54
IP protection for internal circuit	–	No
RoHS compliant	–	Yes

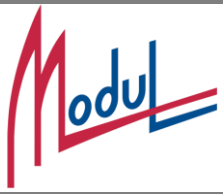
*Notes:*

- ✓ Custom designed thermoelectric devices are available;
- ✓ Do not exceed maximum or minimum operating temperature;
- ✓ Do not exceed operating voltage;
- ✓ Follow the transportation and storage requirements to avoid the damage of the thermoelectric units.

*Thermal and electrical characteristics:*

Nominal operating voltage	VDC	24
Operating current (at ambient temperature 35 °C)	A	5,5
Start current (at ambient temperature 35 °C)	A	7,0
Cooling capacity (acc. to test L35/L35 DIN 3168)	W	100
COP	W/W	0,75
Cold side airflow	m <sup>3</sup> /h	50
Hot side airflow	m <sup>3</sup> /h	80
Operating temperature	°C	-20...+60

Tolerances for thermal and electrical parameters ±10 %.

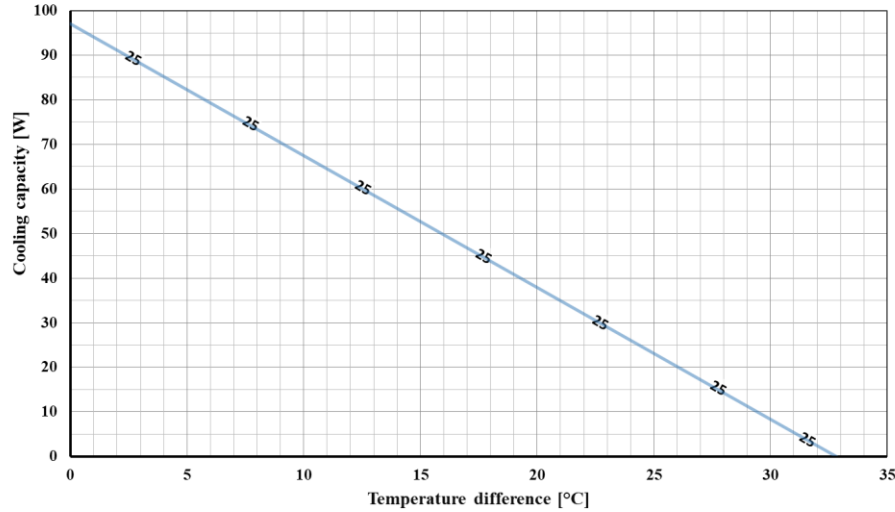


Thermoelectric cooling device  
TECU-FF-100-24-4  
FM201.068

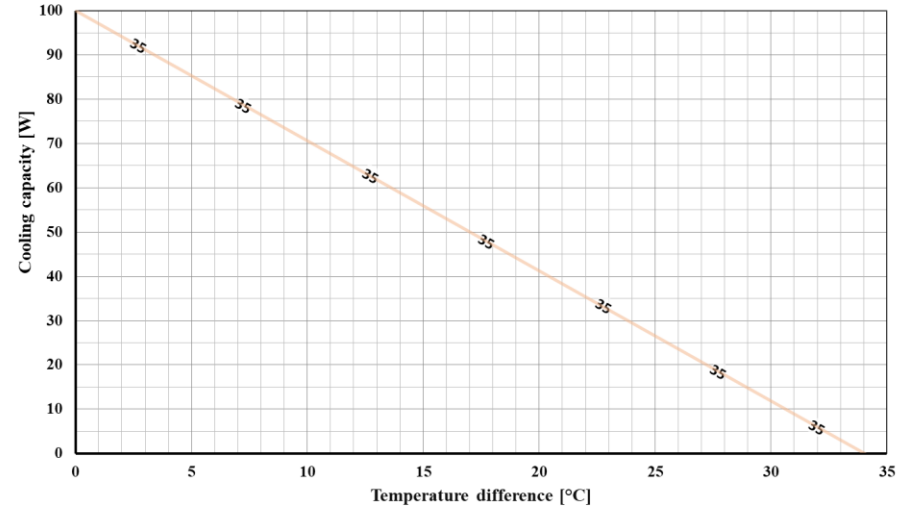
Scientific & Production Firm "MODUL"  
(Thermoelectric modules & Thermoelectric semiconductor materials)  
63, Chervonotkatska Str., 02094, Kyiv, Ukraine  
Tel: +380-44-593-87-40, +380-44-593-87-43, Fax: +380-44-593-87-46  
E-mail: [Modul@modulua.kiev.ua](mailto:Modul@modulua.kiev.ua) [http:// www.spf-modul.com](http://www.spf-modul.com)

### Performance graphs

Cooling capacity vs. temperature difference at ambient temperature 25 °C



Cooling capacity vs. temperature difference at ambient temperature 35 °C



Cooling capacity vs. temperature difference at ambient temperature 50 °C

