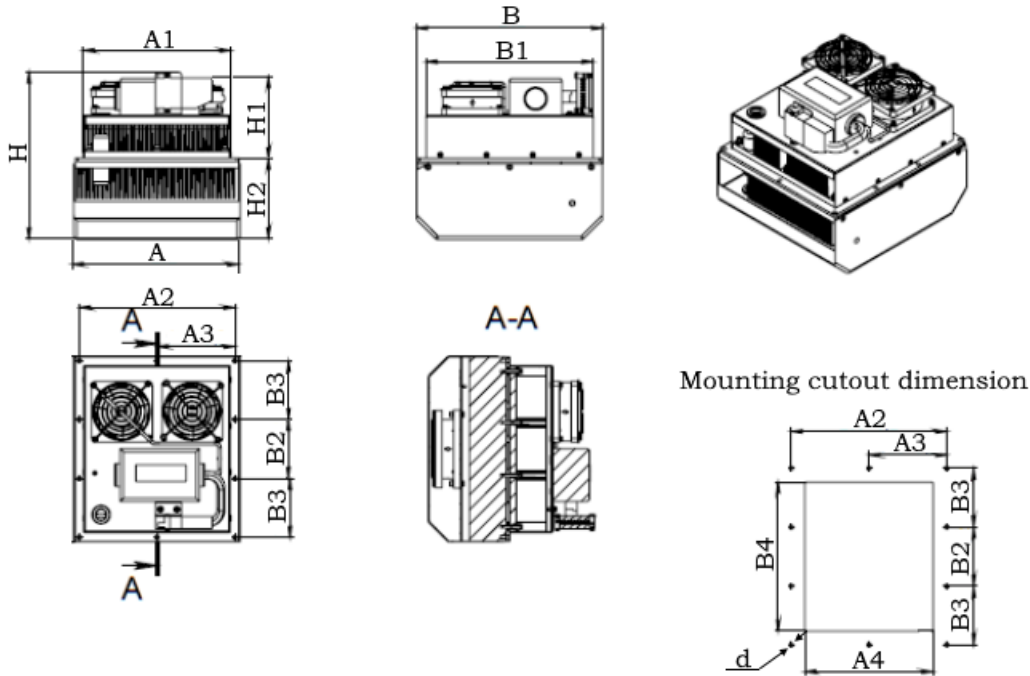


*Thermoelectric cooling device*  
**TECU-FF-270-24-16**  
**FM202.035**

Scientific & Production Firm "MODUL"  
 (Thermoelectric modules & Thermoelectric semiconductor materials)  
 63, Chervonotkatska Str., 02094, Kyiv, Ukraine  
 Tel: +380-44-593-87-40, +380-44-593-87-43, Fax: +380-44-593-87-46  
 E-mail: [Modul@modulua.kiev.ua](mailto:Modul@modulua.kiev.ua) [http:// www.spf-modul.com](http://www.spf-modul.com)

*General view:*



*Geometric characteristics:*

Width (size A)	mm	252±2
Width (size A1)	mm	225±2
Width (size A2)	mm	236±0,2
Width (size A3)	mm	118±0,2
Width (size A4)	mm	230±1
Length (size B)	mm	282±2
Length (size B1)	mm	253±2
Length (size B2)	mm	90±0,2
Length (size B3)	mm	89±0,2
Height (size H)	mm	253±2
Height (size H1)	mm	130±1
Height (size H2)	mm	123±1
Holes' diameter (size d)	mm	5,3±0,1

*Wires:*

Wire length	mm	300+10
Wire cross section	mm <sup>2</sup>	1,0; 0,5
Wire insulation type	–	PVC

*Features:*

Weight	kg	12,5
Noise	dB(A)	63
IP protection for sealing interface	–	54
IP protection for external circuit	–	54
IP protection for internal circuit	–	No
RoHS compliant	–	Yes

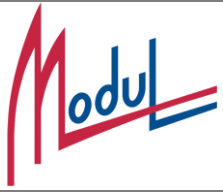
*Notes:*

- ✓ Custom designed thermoelectric devices are available;
- ✓ Do not exceed maximum or minimum operating temperature;
- ✓ Follow the requirements of the thermoelectric unit operating instruction;
- ✓ Follow the transportation and storage requirements to avoid the damage of the thermoelectric units.

*Thermal and electrical characteristics:*

Nominal operating voltage	VDC	24
Operating current (at ambient temperature 35 °C)	A	15,0
Start current (at ambient temperature 35 °C)	A	19,0
Cooling capacity (acc. to test L35/L35 DIN 3168)	W	270
COP	W/W	0,75
Cold side airflow	m <sup>3</sup> /h	120
Hot side airflow	m <sup>3</sup> /h	240
Operating temperature	°C	-20...+60

Tolerances for thermal and electrical parameters ±10 %.



Thermoelectric cooling device  
TECU-FF-270-24-16  
FM202.035

Scientific & Production Firm "MODUL"  
(Thermoelectric modules & Thermoelectric semiconductor materials)  
63, Chervonotkatska Str., 02094, Kyiv, Ukraine  
Tel: +380-44-593-87-40, +380-44-593-87-43, Fax: +380-44-593-87-46  
E-mail: [Modul@modulua.kiev.ua](mailto:Modul@modulua.kiev.ua) [http:// www.spf-modul.com](http://www.spf-modul.com)

### Performance graphs

